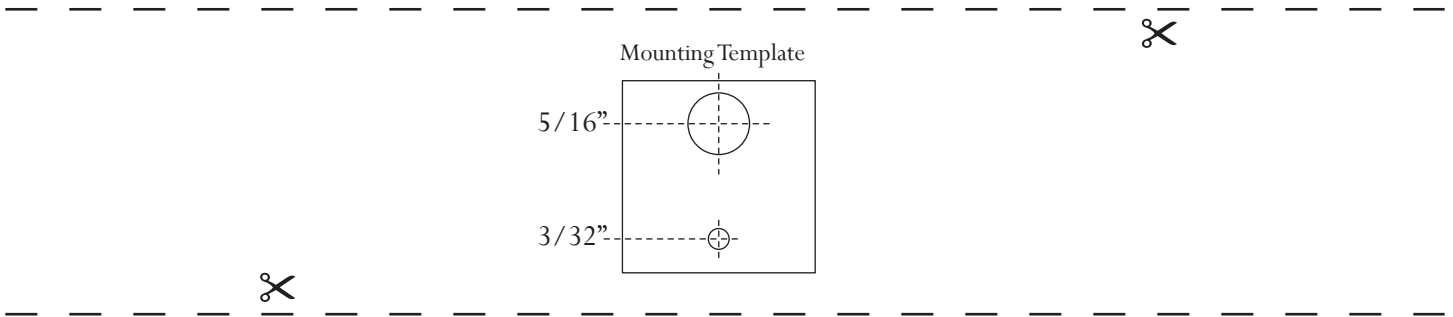


30mA @ 12VDC



PRINT TO SCALE!

Andros - Courtesy/Accent Light



Mounting Instructions:

- Please use mounting template provided to position mounting holes.
- Drill for both the wire exit and a predrilled hole for the mounting screw.
- Attach stainless steel housing with #4 mounting screw provided.
- Connect to 12VDC power supply.

Light circuits should be protected with an appropriately sized fuse. Each light draws approximately 30mA at 12VDC. Fuses on circuits with multiple lights should be sized accordingly.

Limited Warranty

Lumitec is not responsible for product failure caused by abuse, neglect, improper installation, or failure in applications other than those for which it was designed, intended, and marketed.

This product is warranted to be free from defects in workmanship and materials for a period of one year from the date of original purchase. Should your Lumitec product prove defective during the warranty period promptly notify Lumitec and return product with freight prepaid. Lumitec will, at its option, repair or replace the product without charge for parts or labor, or refund purchase price. Products repaired or replaced under this warranty shall be warranted for the unexpired portion of the warranty applying to the original product(s). Lumitec is not responsible for product failure caused by abuse, neglect, improper installation, or failure in applications other than those for which it was designed, intended, and marketed. No warranty or affirmation of fact, express or implied, other than as set forth in the limited warranty statement above is made or authorized by Lumitec. Any liability for consequential and incidental damages is expressly disclaimed. Lumitec liability in all events is limited to, and shall not exceed, the purchase price paid.

Lumitec, Inc.
1405 Poinsettia Drive, Suite 10
Delray Beach, FL 33444
www.lumiteclighting.com

part # 964015-01